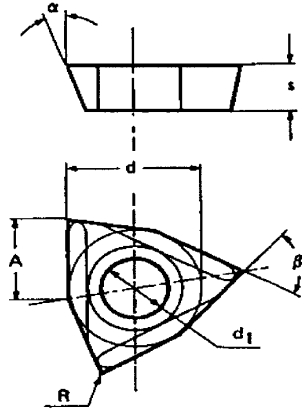


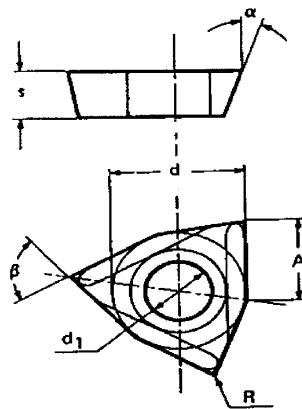
Trigon Inserts

WPEX□□□-R□
right-hand



Designation	Dimensions in mm							C: Carbide grades			
	A	s	R	d	ød ₁	y	k	FX-15	S25/P25/P25	FX-15 TINTIC	
WPEX-040200-R 8 -R 10 -R 12	4	2.5	0	6.6	3.2	84°	8° 10° 12°	● ○ ○	● ○ ○		
WPEX-040202-R 8 -R 10 -R 12	4	2.5	0.2	6.6	3.2	84°	8° 10° 12°	● ○ ○	● ○ ○		
WPEX-050300-R 8 -R 10 -R 12	5	3.18	0	7.94	3.7	80°	8° 10° 12°	● ○ ○	● ○ ○		
WPEX-050302-R 8 -R 10 -R 12	5	3.18	0.2	7.94	3.7	80°	8° 10° 12°	● ○ ○	● ○ ○		
WPEX-050304-R 8 -R 10 -R 12	5	3.18	0.4	7.94	3.7	80°	8° 10° 12°	● ○ ○	● ○ ○		
WPEX-060400-R 8 -R 10 -R 12	6	4	0	9.52	3.7	80°	8° 10° 12°	● ○ ○	● ○ ○		
WPEX-060402-R 8 -R 10 -R 12	6	4	0.2	9.52	3.7	80°	8° 10° 12°	● ○ ○	● ○ ○		
WPEX-060404-R 8 -R 10 -R 12	6	4	0.4	9.52	3.7	80°	8° 10° 12°	● ○ ○	● ○ ○		

WPEX□□□-L□
left-hand



Designation	Dimensions in mm							C: Carbide grades			
	A	s	R	d	ød ₁	y	k	FX-15	S25/P25/P25	FX-15 TINTIC	
WPEX-040200-L 8 -L 10 -L 12	4	2.5	0	6.6	3.2	84°	8° 10° 12°	● ○ ○	● ○ ○		
WPEX-040202-L 8 -L 10 -L 12	4	2.5	0.2	6.6	3.2	84°	8° 10° 12°	● ○ ○	● ○ ○		
WPEX-050300-L 8 -L 10 -L 12	5	3.18	0	7.94	3.7	80°	8° 10° 12°	● ○ ○	● ○ ○		
WPEX-050302-L 8 -L 10 -L 12	5	3.18	0.2	7.94	3.7	80°	8° 10° 12°	● ○ ○	● ○ ○		
WPEX-050304-L 8 -L 10 -L 12	5	3.18	0.4	7.94	3.7	80°	8° 10° 12°	● ○ ○	● ○ ○		
WPEX-060400-L 8 -L 10 -L 12	6	4	0	9.52	3.7	80°	8° 10° 12°	● ○ ○	● ○ ○		
WPEX-060402-L 8 -L 10 -L 12	6	4	0.2	9.52	3.7	80°	8° 10° 12°	● ○ ○	● ○ ○		
WPEX-060404-L 8 -L 10 -L 12	6	4	0.4	9.52	3.7	80°	8° 10° 12°	● ○ ○	● ○ ○		

- available from stock
- available by standard delivery
- no symbol, available by quotation